

PLUS
1735 | 07.16

SFA

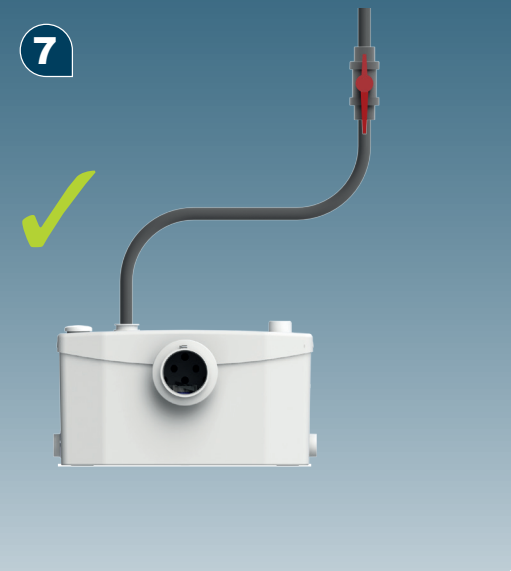
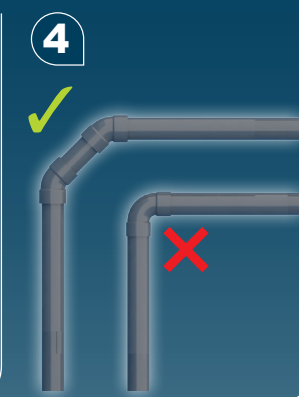
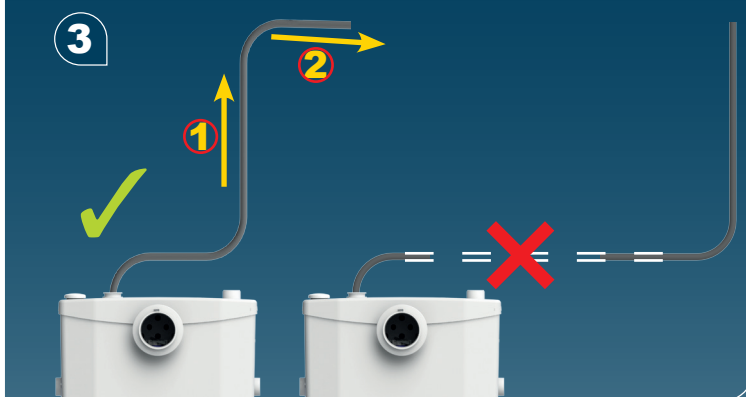
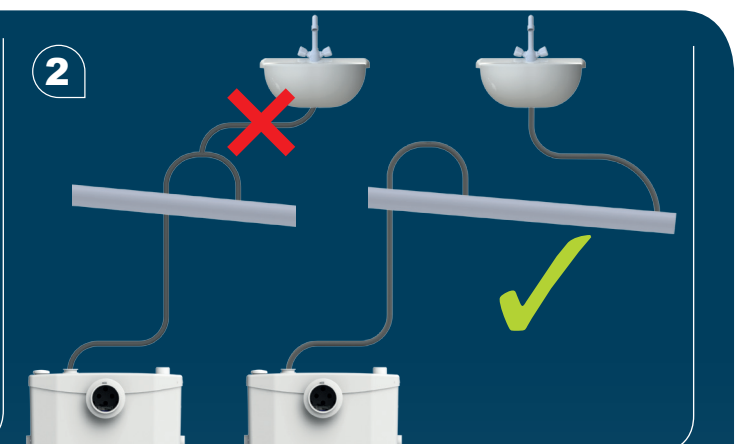
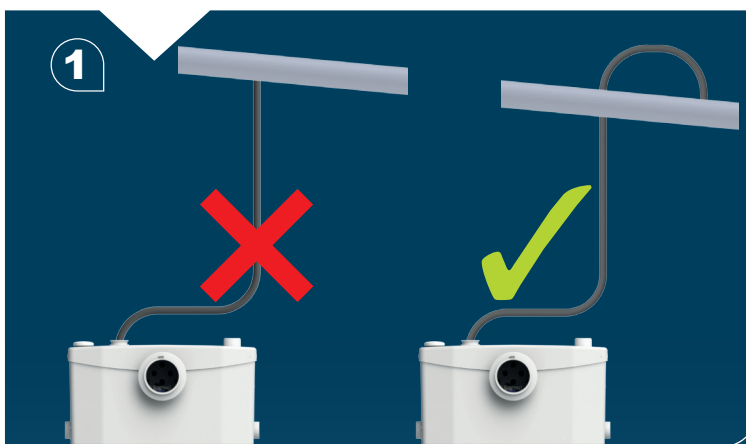
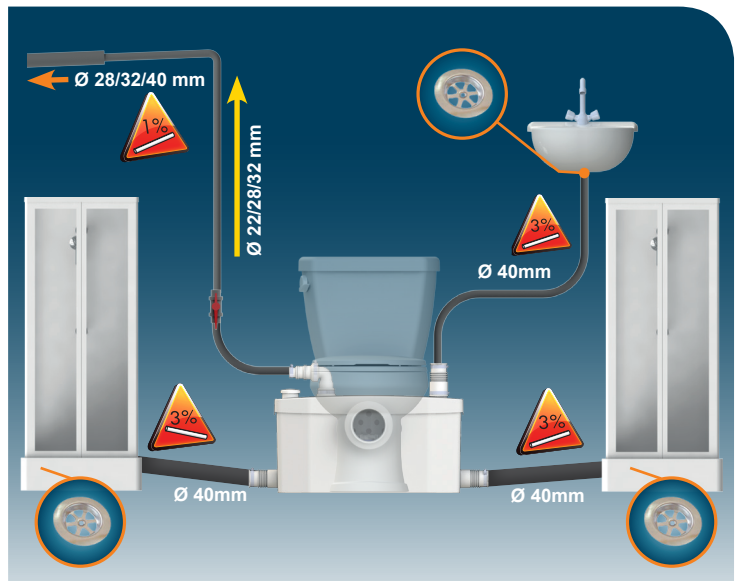
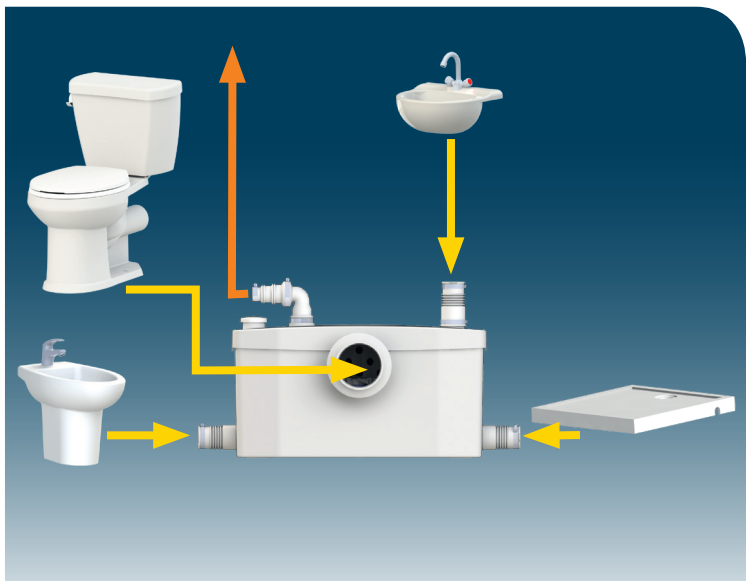


SANIPLUS®

UP

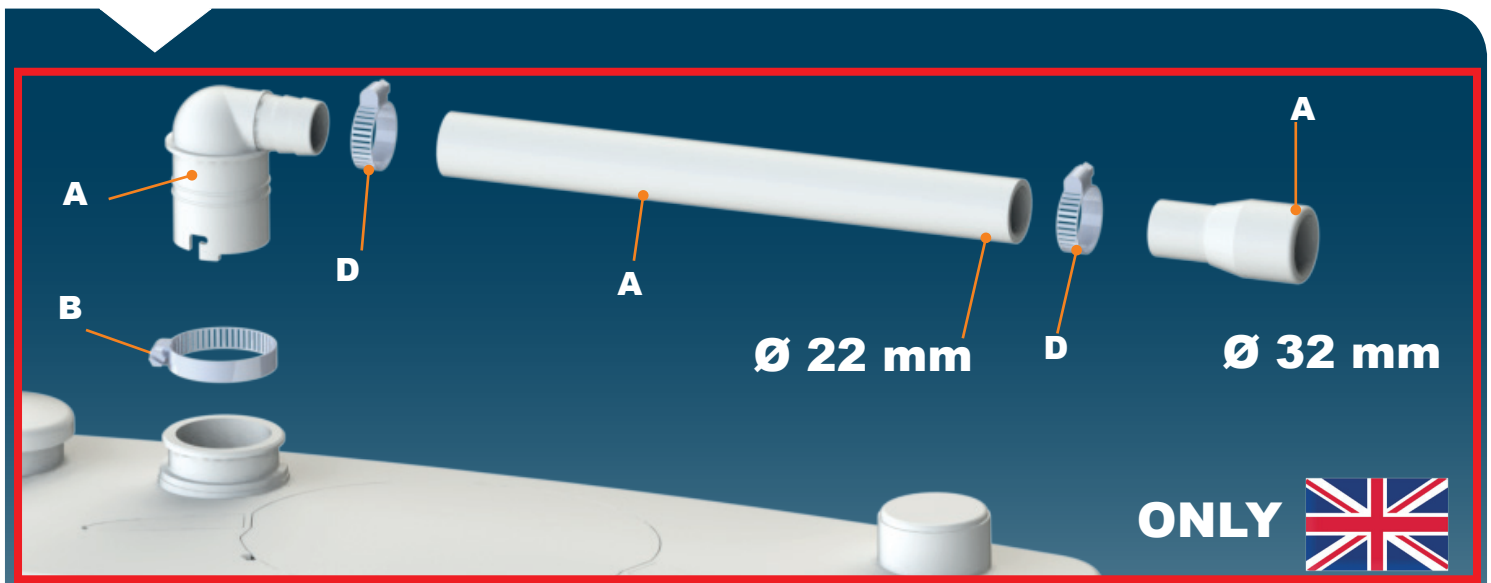
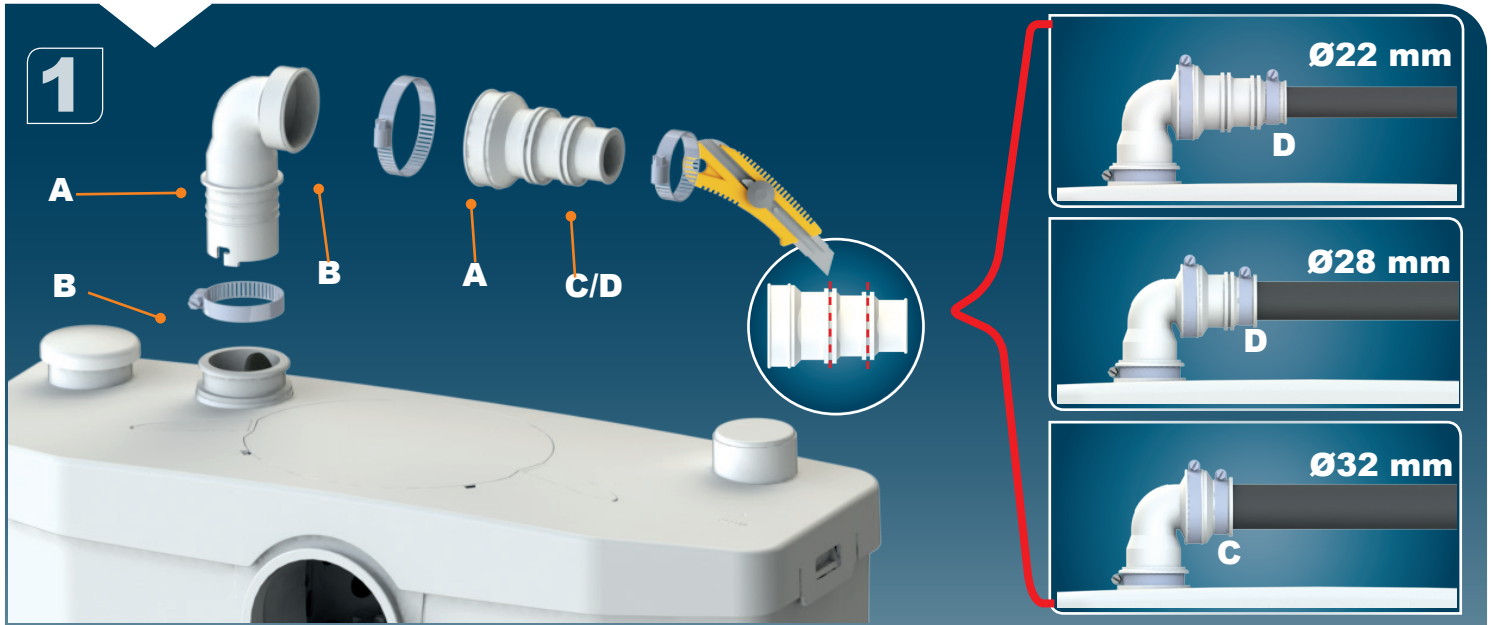
- | | | | | | |
|----|--------------------------------|----|--------------------------------------|----|-------------------------------|
| FR | NOTICE D'INSTALLATION | SE | INSTALLATIONSANVISNING | RO | MANUAL DE INSTALARE |
| UK | INSTALLATION INSTRUCTIONS | DK | INSTALLATIONSVEJLEDNING | CZ | NÁVOD K INSTALACI A POUŽÍVÁNÍ |
| DE | INSTALLATIONSHINWEISE | NO | INSTALLASJONSANVISING | TR | KURULUM KILAVUZU |
| IT | ISTRUZIONI PER L'INSTALLAZIONE | FI | ASENNUSOHJEET | CN | 用户应保留安装指南以备用 |
| ES | MANUAL DE INSTALACIÓN | HU | FELSZERELÉSI ÉS KEZELÉSI ÚTMUTATÓ | KR | 설치내용서 |
| BR | PT MANUAL DE INSTALAÇÃO | PL | INSTRUKCJA INSTALACJI | HR | UPUTA ZA INSTALACIJU |
| NL | INSTALLATIE VOORSCHRIFTEN | RU | ИНСТРУКЦИЯ ПО МОНТАЖУ И ЭКСПЛУАТАЦИИ | AR | بيكرتلا قرط |

CE





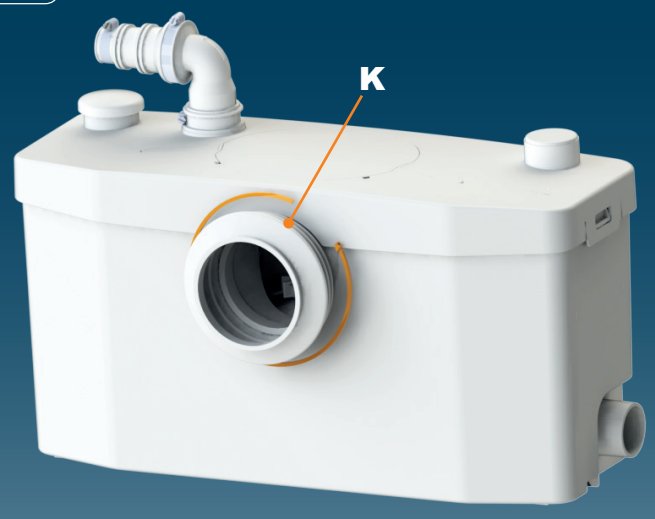
ONLY



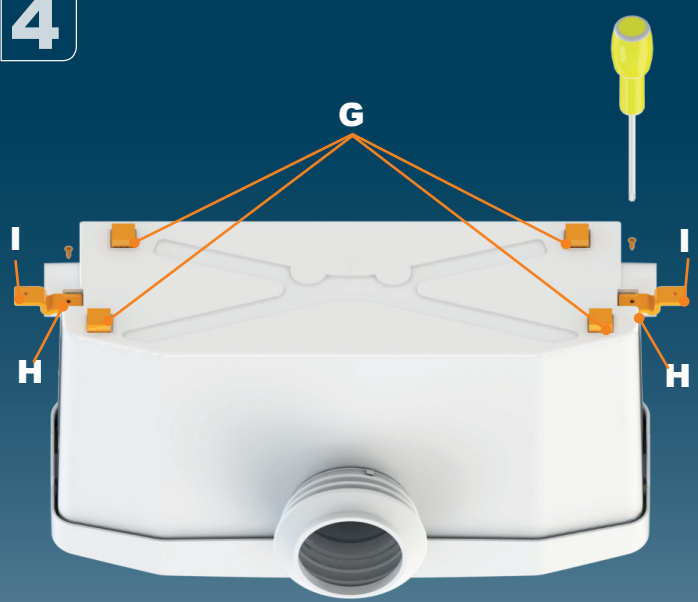
2



3



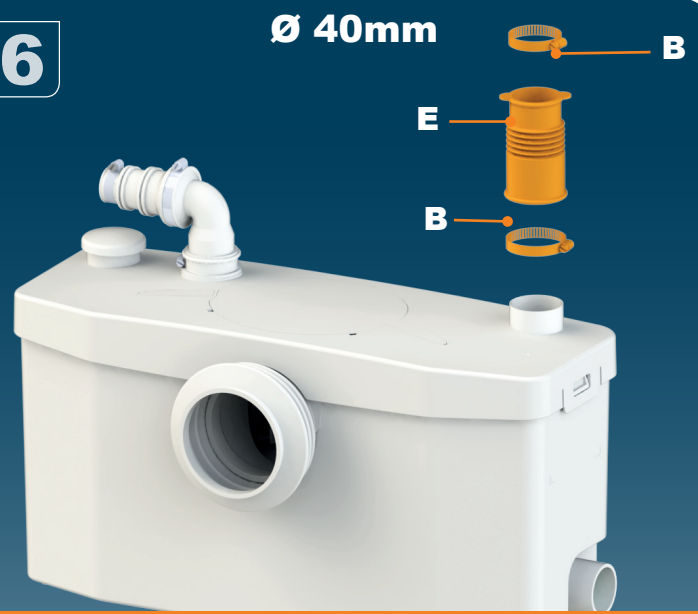
4



5



6



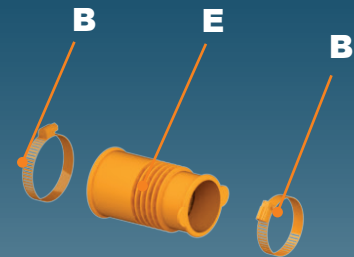
7



8

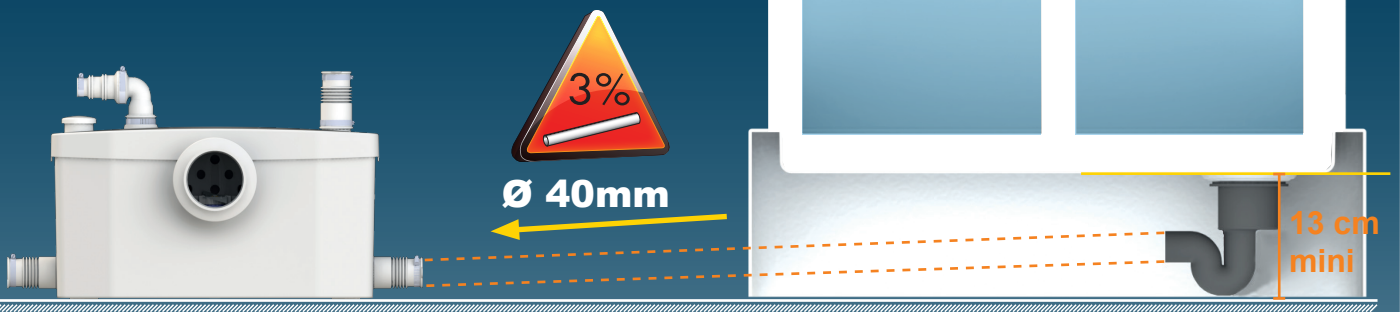


9

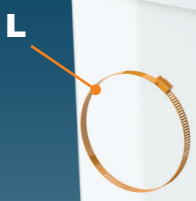


Ø 40mm

10



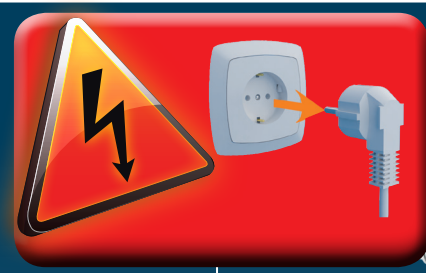
11



12



1



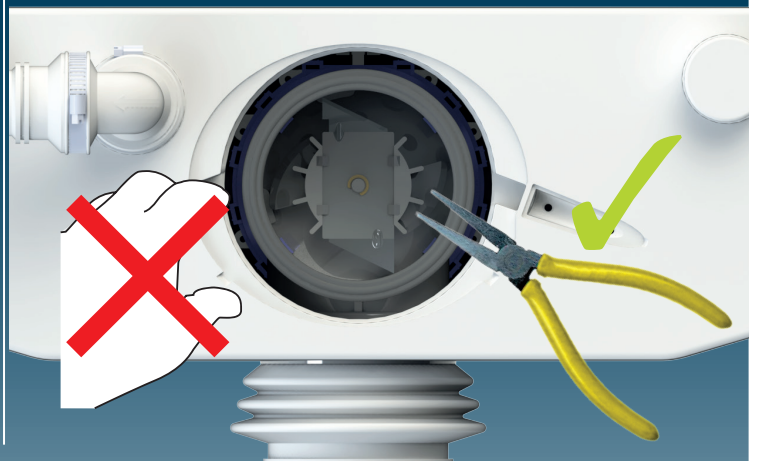
2

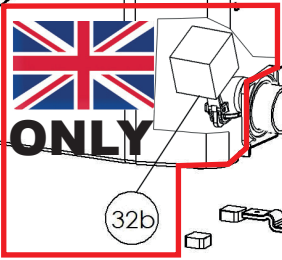
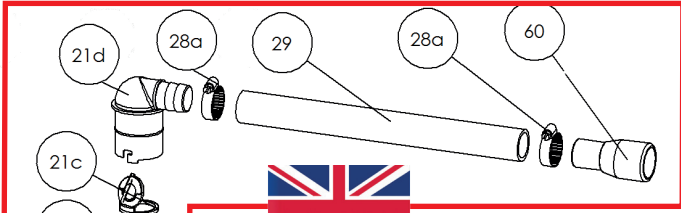
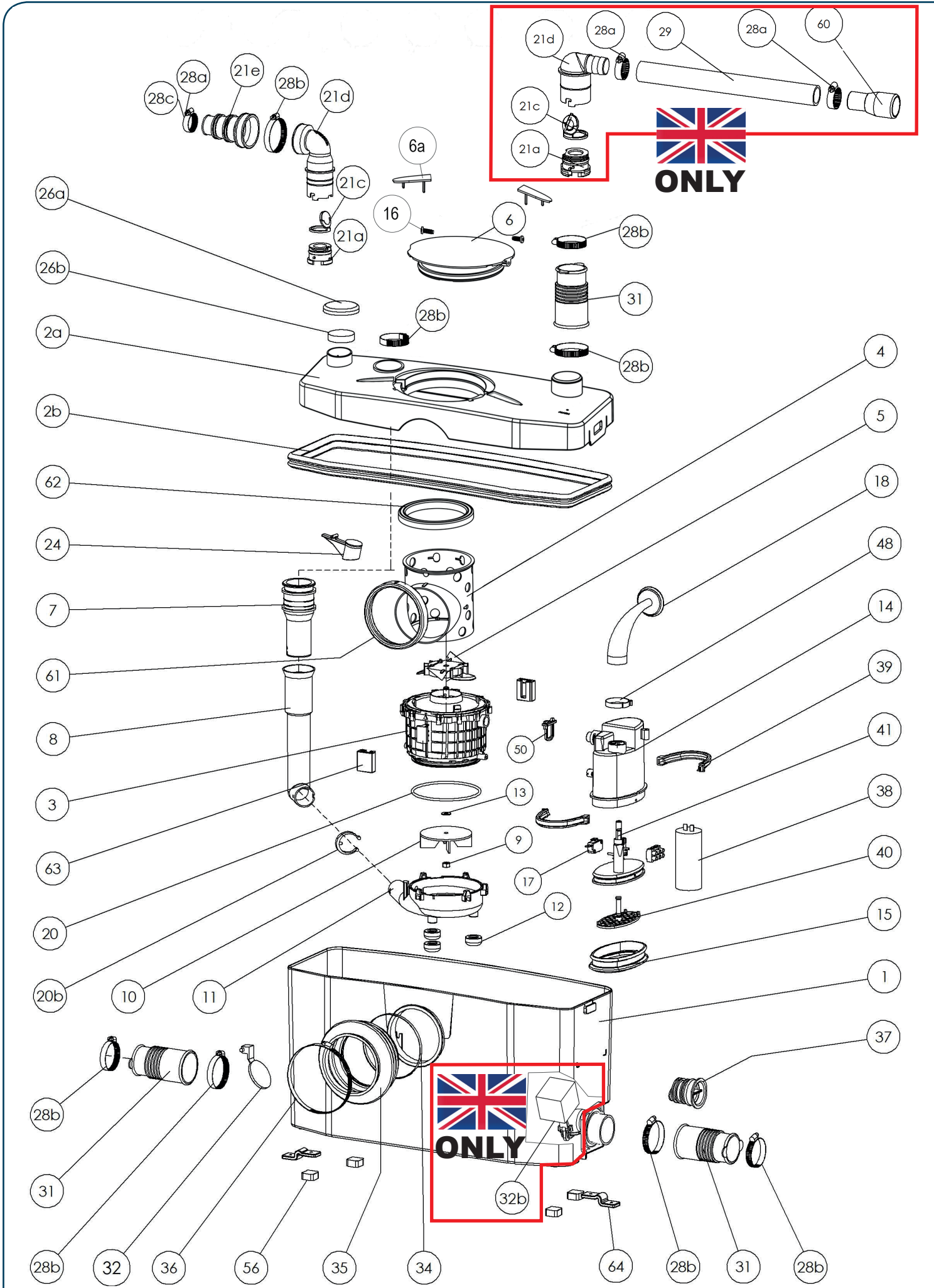


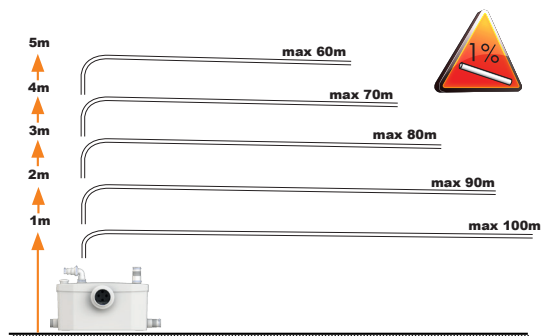
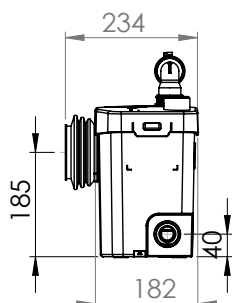
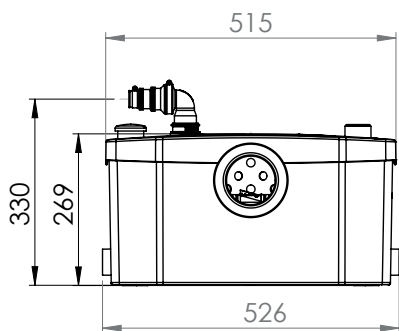
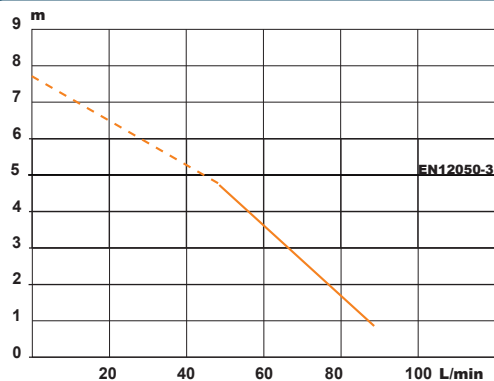
3



4







SANIPLUS UP

**EN 12050-3
P 30
220-240 V - 50 Hz
400 W - IP44 - 1,9A
⊕ (class 1) - 6,4 Kg**

FRANCE

**SOCIÉTÉ FRANÇAISE
D'ASSAINISSEMENT**
41 bis avenue Bosquet - 75007 Paris
Tél. +33 1 44 82 39 00
Fax +33 1 44 82 39 01

UNITED KINGDOM

SANIFLO Ltd.,
Howard House, The Runway
South Ruislip Middx.,
HA4 6 SE
Tel. +44 208 842 0033
Fax +44 208 842 1671

IRELAND

SANIRISH Ltd
IDA Industrial Estate
Edenderry - County Offaly
Tel. + 353 46 9733 102
Fax + 353 46 97 33 093

AUSTRALIA

SANIFLO (Australasia) Pty Ltd
Unit 9/10, 25 Gibbes Street
Chatswood NSW 2067
Tel. +61 298 826 200
Fax +61 298 826 950

DEUTSCHLAND

SFA SANIBROY GmbH
Waldstr. 23 Geb. B5 - 63128
Dietzenbach
Tel. (060 74) 30928-0
Fax (060 74) 30928-90

ITALIA

SFA ITALIA spa
Via del Benessere, 9
27010 Sizzano (PV)
Tel. 03 82 61 81
Fax 03 82 61 8200

ESPAÑA

SFA S.L.
C/ Vinyalets, 1 - Pl. Can Vinyalets
08130 Sta. - Perpètua de Mogoda - Barcelona
Tel. +34 93 544 60 76
Fax +34 93 462 18 96

PORTUGAL

SFA, Lda.
Sintra Business Park, ed.01-1°P2710-089 SINTRA
Tel. +35 21 911 27 85
Fax +35 21 957 70 00

РОССИЯ

SFA РОССИЯ
101000 Москва - Колпачный переулок 9а
Тел. (495) 258 29 51
Факс. (495) 258 29 51

SUISSE SCHWEIZ SVIZZERA

SFA SANIBROY AG
Vorstadt 4
3380 Wangen a. A.
Tel. + 41 (0)32 631 04 74
Fax + 41 (0)32 631 04 75

BENELUX

SFA BENELUX B.V.
Volfaweg 4
6101 XK Echt (NL)
Tel. +31 475 487100
Fax +31 475 486515

SVERIGE

SANIFLO AB
BOX 797
S-191 27 Sollentuna
Tel. +46 (0)8-404 15 30
info@saniflo.se

POLSKA

SFA POLAND Sp. z o.o.
ul. Białolecka 168
03-253 Warszawa
Tel. (+4822) 732 00 32
Fax (+4822) 751 35 16

ČESKÁ REPUBLIKA

SFA-SANIBROY, spol. s r.o.
Sokolovská 445/212, 180 00 Praha 8
Tel. +420 266 712 855
Fax, +420 266 712 856

ROMANIA

SFA SANIFLO S.R.L.
145B Foișorului Street District 3
31177 BUCUREȘTI
Tel. +40 256 245 092
Fax +40 256 245 029

TÜRKIYE

SFA SANIHYDRO LTD STI
Mecidiye Cad No:36-B Sevensan APT
34394 MECIDIYEKÖY - İSTANBUL
Tel. +90 212 275 30 88
Fax, +90 212 275 90 58

CHINA

SFA 中国
上海市静安区石门二路333弄3号振安
广场恒安大厦27C (200041)
Tel. +86(0)21 6218 8969
Fax. +86(0)21 6218 8970

KOREA

www.SFA.biz
sales@saniflo-korea.kr

South Africa

Saniflo Africa (PTY) Ltd
Unit A6 , Spearhead Business Park
Cnr. Freedom Way & Montague Drive
Montague Gardens, 7441
Tel : +27 (0) 21 286 00 28
www.saniflo.co.za

BRAZIL

SFA Brasil Equipamentos Sanitários,
Rua Maria Figueiredo 595
CEP 04002-003 SAO PAULO / SP
Tel. (11) 3052-2292
santrit@sanitrit.com.br

SERVICE HELPLINES

	TEL	FAX		
France	01 44 82 25 55	03 44 94 46 19	Benelux	+31 475 487100 +31 475 486515
United Kingdom	08457 650011 (Call from a land line)	020 8842 1671	Sverige	+46 (0)8-404 15 30
Ireland	1850 23 24 25 (LOW CALL)	+ 353 46 97 33093	Norge	+46 (0)8-404 15 30
Australia	+1300 554 779	+61.2.9882.6950	Polska	(+4822) 732 00 33 (+4822) 751 35 16
Deutschland	0800 82 27 82 0	(060 74) 30928-90	POCCИЯ	(495) 258 29 51 (495) 258 29 51
Italia	0382 6181	+39 0382 618200	Česká Republika	+420 266 712 855 +420 266 712 856
España	+34 93 544 60 76	+34 93 462 18 96	România	+40 256 245 092 +40 256 245 029
Portugal	+35 21 911 27 85	+35 21 957 70 00	Türkiye	+90 212 275 30 88 +90 212 275 90 58
Suisse Schweiz Svizzera	+41 (0)32 631 04 74	+41 (0)32 631 04 75	中国	+86(0)21 6218 8969 +86(0)21 6218 8970
			Brazil	(11) 3052-2292

Service information : www.sfa.biz